

WALL & CHANNEL SOLUTIONS



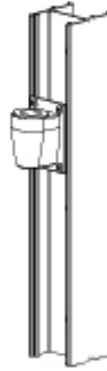
WALL CHANNEL SOLUTIONS

Maximize limited spaces with a floor-to-ceiling Column or Wall Channel workstation solution.



Wall Channel

- One-sided extruded aluminum
- Clear anodized aluminum
- 1.5"/38.1mm x 3"/76.2mm outside finished dimensions
- 1.375"/34.92mm x 2.75"/69.85mm inside finished dimensions

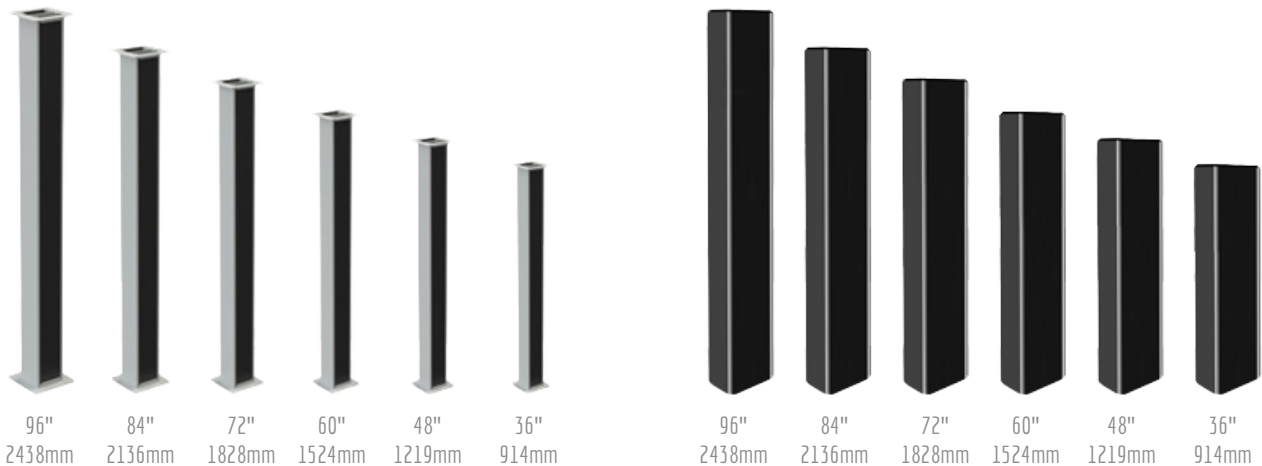


Columns

- Flange set
- Floor brackets
- 3"/76.2mm x 3"/76.2mm column
- 5"/127mm x 5"/127mm floor bracket

Wall channels must be anchored into wall studs by a certified installation technician or contractor. Includes wire-manager cover, to be custom cut in the field. No adaptive hardware is shipped.

COLUMN OPTIONS



WALL CHANNEL SOLUTIONS

- Maximize limited spaces with a floor-to-ceiling Column or Wall Channel workstation solution.

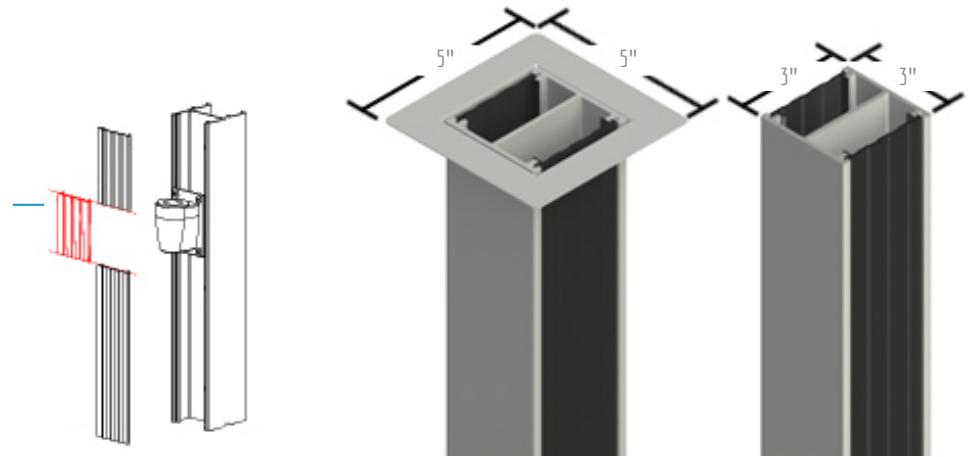
SPECIFICATIONS

Columns are sold by the foot
Columns include cover, flange set and floor brackets
- Any length over 102" will require a freight quote

Column Cover:
- Black plastic can be cut with a razor knife and snapped into place

Top and Bottom Flange:
- Decorative floor plate or ceiling pass through

Floor brackets:
- Secure column to the floor



MONITOR SOLUTIONS

